

# Shamir Element™

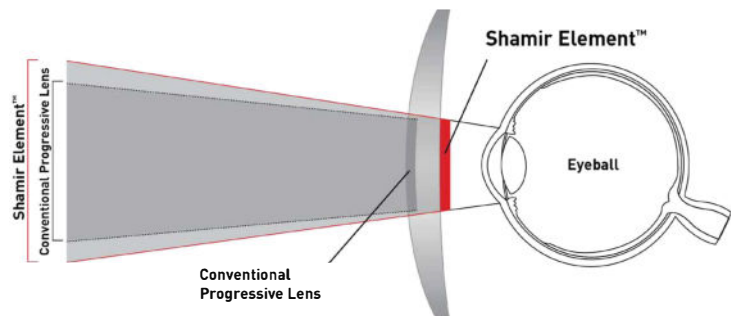
Personalized  
Freeform  
design at an  
entry-level  
price



**Shamir Element™** gives eye care professionals an opportunity to provide their patients with a personalized Freeform lens at an affordable price. The building blocks of the Shamir Element™ design are based on two essential technologies, EyePoint Technology® and Direct Lens Technology®, which together create a back-surface Freeform® lens personalized to each patient's unique measurements.

**Shamir Element™** is designed with Freeform Technology on the back side of the lens. This, combined with Shamir's patented Eye Point Technology II, produces lenses with wider fields of view and a smooth transition across the lens surface.

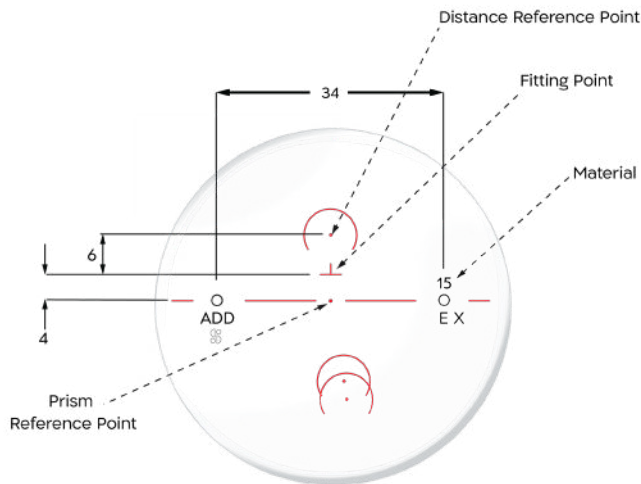
## Back surface design widens patients' field of view





Design Comparison	Element	Autograph III
Price	\$	\$\$\$
Direct Lens Technology	✓	✓
Back-Surface Design	✓	✓
Freeform Manufacturing	✓	✓
Wider Fields of View	✓	✓
Customized Fitting Height	16 and 19mm	11,13, 15, 18mm or variable
Natural Posture		✓
As-Worn Quadro		✓
Intellicorridor		✓
Eye Point Technology	v. 2	v. 3
Available in Clear, Blue Zero, Transitions Gen 8 & Polar	✓	✓

TECHNICAL INFORMATION



MFH	A	B	Engraving
16	2.0	9.5	E S
19	2.5	12	E

- ✓ Available in 1.5, 1.53, 1.59, 1.6 & 1.67
- ✓ Wide fields of view
- ✓ Virtually distortion free
- ✓ Proven Freeform design
- ✓ Accurate to 0.01 D
- ✓ Back surface Freeform design

Backed by our Shamir Assurance warranty, Shamir Element™ is a great choice for your value minded customers.

Element™ Range: Add +0.75 to +3.50 Minimum Fitting Height: 16, or 19mm Available with Glacier Plus or Glacier Anti-Fog premium coatings*	Range [D]	Cylinder
1.5: Clear, Polarized, Transitions Gen 8, XTRActive™	-7.00 to + 4.00	to - 6.00
1.53 Trivex: Clear, Blue Zero, Polarized, Transitions Gen 8	-13.25 to +6.00	to - 6.50
1.59 Poly: Clear, Blue Zero, Polarized, Transitions Gen 8, XTRActive™	-10.00 to +6.00	to - 7.00
1.6: Clear, Blue Zero, Polarized, Transitions Gen 8, XTRActive™	-10.00 to +6.00	to - 7.00
1.67: Clear, Blue Zero, Polarized, Transitions Gen 8, XTRActive™	-12.00 to +8.00	to - 8.00

\*Glacier Anti-Fog coating is available on Trivex, Poly and 1.6

