

# Lens Dispensing Guide

2022-2023



[www.shamir.com/au](http://www.shamir.com/au)

# Shamir Autograph Intelligence™

The artificial intelligence driven lens designed to evolve with you.

Minimum Fitting Heights: 13mm, 15mm & 18mm | ADD: 0.75-3.50

Personalised Progressive Lens	Clear					Clear High Index					
	Material & Index	1.5	Blue Zero™ 1.5	Trivex™ 1.53	Blue Zero™ 1.53	Poly 1.59	SuperLite™ 1.6	Blue Zero™ 1.6	Tribrid™ 1.6	SuperLite™ 1.67	Blue Zero™ 1.67
Hard Coat	✓	✓	✓	✓	✓	NA	NA	NA	NA	NA	NA
Glacier™	✓	✓	✓	✓	NA	✓	✓	✓	✓	✓	✓
Glacier™ Plus Range	✓	✓	✓	✓	NA	✓	✓	✓	✓	✓	✓
SPH. Manufacture Range	-7.00 to +6.00	-7.00 to +6.00	-8.00 to +6.00	-8.00 to +6.00	-10.00 to +6.00	-10.00 to +6.00	-10.00 to +6.00	-7.00 to +6.00	-10.00 to +8.00	-10.00 to +8.00	-13.00 to +13.00
CYL. Manufacture Range	-6.00	-6.00	-6.00	-6.00	-6.00	-6.00	-6.00	-6.00	-6.00	-6.00	-6.00

Personalised Progressive Lens	Transitions® Signature (Brown, Grey, Amethyst, Sapphire, Amber, Emerald)							Transitions® XTRActive II (Brown, Grey)				
	Material & Index	1.5 *	Trivex™ 1.53	Poly 1.59	SuperLite™ 1.6 *	Tribrid™ 1.6	SuperLite™ 1.67	SuperLite™ 1.74	1.5	Trivex™ 1.53	Poly 1.59	SuperLite™ 1.6
Hard Coat	✓	✓	✓	NA	NA	NA	NA	✓	✓	✓	NA	NA
Glacier™	✓	✓	NA	✓	✓	✓	✓	✓	✓	NA	✓	✓
Glacier™ Plus Range	✓	✓	NA	✓	✓	✓	✓	✓	✓	NA	✓	✓
SPH. Manufacture Range	-7.00 to +6.00	-8.00 to +6.00	-8.00 to +6.00	-10.00 to +6.00	-7.00 to +6.00	-10.00 to +8.00	-13.00 to +13.00	-7.00 to +6.00	-8.00 to +6.00	-8.00 to +6.00	-10.00 to +6.00	-10.00 to +8.00
CYL. Manufacture Range	-6.00	-6.00	-6.00	-6.00	-6.00	-6.00	-6.00	-6.00	-6.00	-6.00	-6.00	-6.00

Personalised Progressive Lens	XTRActive Polarised (Grey Only)				NuPolar® Polarised							
	Material & Index	1.5	Trivex™ 1.53	SuperLite™ 1.6	SuperLite™ 1.67	1.5	1.5 (Gradient)	1.5 (Mirror)	Trilogy 1.53	Poly 1.59	1.59 Gradient	SuperLite™ 1.6
Hard Coat	✓	✓	NA	NA	✓	✓	✓	✓	✓	✓	NA	NA
Glacier™	✓	✓	✓	✓	✓	✓	NA	✓	NA	NA	✓	✓
Glacier™ Plus Range	✓	✓	✓	✓	✓	✓	NA	✓	NA	NA	✓	✓
SPH. Manufacture Range	-7.00 to +6.00	-7.00 to +6.00	-10.00 to +6.00	-10.00 to +8.00	-7.00 to +6.00	-7.00 to +6.00	-7.00 to +6.00	-8.00 to +6.00	-8.00 to +6.00	-6.00 to +6.00	-10.00 to +6.00	-10.00 to +8.00
CYL. Manufacture Range	-6.00	-6.00	-6.00	-6.00	-6.00	-6.00	-6.00	-6.00	-6.00	-6.00	-6.00	-6.00

Personalised Progressive Lens	Drivewear®		Infinite	Order Parameters
	Material & Index	1.5		
Hard Coat	✓	✓	✓	Monocular PDs
Glacier™	✓	✓	✓	Fit Pupil Centre
Glacier™ Plus Range	✓	✓	✓	Panoramic Measurements
SPH. Manufacture Range	-7.00 to +6.00	-10.00 to +6.00	-7.00 to +6.00	
CYL. Manufacture Range	-6.00	-6.00	-6.00	

☞ Indicates Rimless Fit

\* Available in Style Colors

# Shamir Autograph IID™

Life improvement lenses for a new visual experience.

Minimum Fitting Heights: 13mm, 15mm & 18mm | ADD: 0.75-3.50

Personalised Progressive Lens	Clear					Clear High Index					
	Material & Index	1.5	Blue Zero™ 1.5	Trivex™ 1.53	Blue Zero™ 1.53	Poly 1.59	Superlite™ 1.6	Blue Zero™ 1.6	Tribrid™ 1.6	Superlite™ 1.67	Blue Zero™ 1.67
Hard Coat	✓	✓	✓	✓	✓	NA	NA	NA	NA	NA	NA
Glacier™	✓	✓	✓	✓	NA	✓	✓	✓	✓	✓	✓
Glacier™ Plus Range	✓	✓	✓	✓	NA	✓	✓	✓	✓	✓	✓
SPH. Manufacture Range	-7.00 to +6.00	-7.00 to +6.00	-8.00 to +6.00	-8.00 to +6.00	-8.00 to +6.00	-10.00 to +6.00	-10.00 to +6.00	-7.00 to +6.00	-10.00 to +8.00	-10.00 to +8.00	-13.00 to +13.00
CYL. Manufacture Range	-6.00	-6.00	-6.00	-6.00	-6.00	-6.00	-6.00	-6.00	-6.00	-6.00	-6.00

Personalised Progressive Lens	Transitions® Signature (Brown, Grey, Amethyst, Sapphire, Amber, Emerald)							Transitions® XTRActive II (Brown, Grey)				
	Material & Index	1.5 *	Trivex™ 1.53	Poly 1.59	SuperLite™ 1.6 *	Tribrid™ 1.6	SuperLite™ 1.67	SuperLite™ 1.74	1.5	Trivex™ 1.53	Poly 1.59	SuperLite™ 1.6
Hard Coat	✓	✓	✓	NA	NA	NA	NA	✓	✓	✓	NA	NA
Glacier™	✓	✓	NA	✓	✓	✓	✓	✓	✓	NA	✓	✓
Glacier™ Plus Range	✓	✓	NA	✓	✓	✓	✓	✓	✓	NA	✓	✓
SPH. Manufacture Range	-7.00 to +6.00	-8.00 to +6.00	-8.00 to +6.00	-10.00 to +6.00	-7.00 to +6.00	-10.00 to +8.00	-13.00 to +13.00	-7.00 to +6.00	-8.00 to +6.00	-8.00 to +6.00	-10.00 to +6.00	-10.00 to +8.00
CYL. Manufacture Range	-6.00	-6.00	-6.00	-6.00	-6.00	-6.00	-6.00	-6.00	-6.00	-6.00	-6.00	-6.00

Personalised Progressive Lens	XTRActive Polarised (Grey Only)				NuPolar® Polarised							
	Material & Index	1.5	Trivex™ 1.53	SuperLite™ 1.6	SuperLite™ 1.67	1.5	1.5 (Gradient)	1.5 (Mirror)	Trilogy 1.53	Poly 1.59	1.59 Gradient	SuperLite™ 1.6
Hard Coat	✓	✓	NA	NA	✓	✓	✓	✓	✓	✓	NA	NA
Glacier™	✓	✓	✓	✓	✓	✓	NA	✓	NA	NA	✓	✓
Glacier™ Plus Range	✓	✓	✓	✓	✓	✓	NA	✓	NA	NA	✓	✓
SPH. Manufacture Range	-7.00 to +6.00	-7.00 to +6.00	-10.00 to +6.00	-10.00 to +8.00	-7.00 to +6.00	-7.00 to +6.00	-7.00 to +6.00	-8.00 to +6.00	-8.00 to +6.00	-8.00 to +6.00	-10.00 to +6.00	-10.00 to +8.00
CYL. Manufacture Range	-6.00	-6.00	-6.00	-6.00	-6.00	-6.00	-6.00	-6.00	-6.00	-6.00	-6.00	-6.00

Personalised Progressive Lens	Drivewear®		Infinite	Order Parameters
	Material & Index	1.5		
Hard Coat	✓	✓	✓	Monocular PDs
Glacier™	✓	✓	✓	Fit Pupil Centre
Glacier™ Plus Range	✓	✓	✓	Panoramic Measurements
SPH. Manufacture Range	-7.00 to +6.00	-8.00 to +6.00	-7.00 to +6.00	
CYL. Manufacture Range	-6.00	-6.00	-6.00	

Indicates Rimless Fit  
\* Available in Style Colors

# Shamir InTouch UX™

Vision for the digital age.

Minimum Fitting Heights: 15mm & 18mm | ADD: 0.75-3.50

Personalised Progressive Lens	Clear					Clear High Index					
	Material & Index	1.5	Blue Zero™ 1.5	Trivex™ 1.53	Blue Zero™ 1.53	Poly 1.59	Superlite™ 1.6	Blue Zero™ 1.6	Tribrid™ 1.6	Superlite™ 1.67	Blue Zero™ 1.67
Hard Coat	✓	✓	✓	✓	✓	NA	NA	NA	NA	NA	NA
Glacier™	✓	✓	✓	✓	NA	✓	✓	✓	✓	✓	✓
Glacier™ Plus Range	✓	✓	✓	✓	NA	✓	✓	✓	✓	✓	✓
SPH. Manufacture Range	-7.00 to +6.00	-7.00 to +6.00	-8.00 to +6.00	-8.00 to +6.00	-10.00 to +6.00	-10.00 to +6.00	-10.00 to +6.00	-7.00 to +6.00	-10.00 to +8.00	-10.00 to +8.00	-13.00 to +13.00
CYL. Manufacture Range	-6.00	-6.00	-6.00	-6.00	-6.00	-6.00	-6.00	-6.00	-6.00	-6.00	-6.00

Personalised Progressive Lens	Transitions® Signature (Brown, Grey, Amethyst, Sapphire, Amber, Emerald)							Transitions® XTRActive II (Brown, Grey)				
	Material & Index	1.5 *	Trivex™ 1.53	Poly 1.59	SuperLite™ 1.6 *	Tribrid™ 1.6	SuperLite™ 1.67	SuperLite™ 1.74	1.5	Trivex 1.53	Poly 1.59	SuperLite™ 1.6
Hard Coat	✓	✓	✓	NA	NA	NA	NA	✓	✓	✓	NA	NA
Glacier™	✓	✓	NA	✓	✓	✓	✓	✓	✓	NA	✓	✓
Glacier™ Plus Range	✓	✓	NA	✓	✓	✓	✓	✓	✓	NA	✓	✓
SPH. Manufacture Range	-7.00 to +6.00	-8.00 to +6.00	-8.00 to +6.00	-10.00 to +6.00	-7.00 to +6.00	-10.00 to +8.00	-13.00 to +13.00	-7.00 to +6.00	-8.00 to +6.00	-10.00 to +6.00	-10.00 to +8.00	-10.00 to +8.00
CYL. Manufacture Range	-6.00	-6.00	-6.00	-6.00	-6.00	-6.00	-6.00	-6.00	-6.00	-6.00	-6.00	-6.00

Personalised Progressive Lens	XTRActive Polarised (Grey Only)				NuPolar® Polarised							
	Material & Index	1.5	Trivex 1.53	SuperLite™ 1.6	SuperLite™ 1.67	1.5	1.5 (Gradient)	1.5 (Mirror)	Trilogy 1.53	Poly 1.59	1.59 Gradient	SuperLite™ 1.6
Hard Coat	✓	✓	NA	NA	✓	✓	✓	✓	✓	✓	NA	NA
Glacier™	✓	✓	✓	✓	✓	✓	NA	✓	NA	NA	✓	✓
Glacier™ Plus Range	✓	✓	✓	✓	✓	✓	NA	✓	NA	NA	✓	✓
SPH. Manufacture Range	-7.00 to +6.00	-7.00 to +6.00	-10.00 to +6.00	-10.00 to +8.00	-7.00 to +6.00	-7.00 to +6.00	-7.00 to +6.00	-8.00 to +6.00	-8.00 to +6.00	-6.00 to +6.00	-10.00 to +6.00	-10.00 to +8.00
CYL. Manufacture Range	-6.00	-6.00	-6.00	-6.00	-6.00	-6.00	-6.00	-6.00	-6.00	-6.00	-6.00	-6.00

Personalised Progressive Lens	Drivewear®		Infinite	Order Parameters
	Material & Index	1.5		
Hard Coat	✓	✓	✓	Monocular PDs
Glacier™	✓	✓	✓	Fit Pupil Centre
Glacier™ Plus Range	✓	✓	✓	
SPH. Manufacture Range	-7.00 to +6.00	-8.00 to +6.00	-7.00 to +6.00	
CYL. Manufacture Range	-6.00	-6.00	-6.00	

Indicates Rimless Fit  
\* Available in Style Colors

# Shamir Urban™

Designed for generation X.

Minimum Fitting Heights: 16mm & 19mm | ADD: 0.75-2.25

Personalised Progressive Lens	Clear					Clear High Index					
	Material & Index	1.5	Blue Zero™ 1.5	Trivex™ 1.53	Blue Zero™ 1.53	Poly 1.59	Superlite™ 1.6	Blue Zero™ 1.6	Tribrid™ 1.6	Superlite™ 1.67	Blue Zero™ 1.67
Hard Coat	✓	✓	✓	✓	✓	NA	NA	NA	NA	NA	NA
Glacier™	✓	✓	✓	✓	NA	✓	✓	✓	✓	✓	✓
Glacier™ Plus Range	✓	✓	✓	✓	NA	✓	✓	✓	✓	✓	✓
SPH. Manufacture Range	-7.00 to +6.00	-7.00 to +6.00	-8.00 to +6.00	-8.00 to +6.00	-8.00 to +6.00	-10.00 to +6.00	-10.00 to +6.00	-7.00 to +6.00	-10.00 to +8.00	-10.00 to +8.00	-13.00 to +13.00
CYL. Manufacture Range	-6.00	-6.00	-6.00	-6.00	-6.00	-6.00	-6.00	-6.00	-6.00	-6.00	-6.00

Personalised Progressive Lens	Transitions® Signature (Brown, Grey, Amethyst, Sapphire, Amber, Emerald)							Transitions® XTRActive II (Brown, Grey)				
	Material & Index	1.5 *	Trivex™ 1.53	Poly 1.59	SuperLite™ 1.6 *	Tribrid™ 1.6	SuperLite™ 1.67	SuperLite™ 1.74	1.5	Trivex 1.53	Poly 1.59	SuperLite™ 1.6
Hard Coat	✓	✓	✓	NA	NA	NA	NA	✓	✓	✓	NA	NA
Glacier™	✓	✓	NA	✓	✓	✓	✓	✓	✓	NA	✓	✓
Glacier™ Plus Range	✓	✓	NA	✓	✓	✓	✓	✓	✓	NA	✓	✓
SPH. Manufacture Range	-7.00 to +6.00	-8.00 to +6.00	-8.00 to +6.00	-10.00 to +6.00	-7.00 to +6.00	-10.00 to +8.00	-13.00 to +13.00	-7.00 to +6.00	-8.00 to +6.00	-10.00 to +6.00	-10.00 to +6.00	-10.00 to +8.00
CYL. Manufacture Range	-6.00	-6.00	-6.00	-6.00	-6.00	-6.00	-6.00	-6.00	-6.00	-6.00	-6.00	-6.00

Personalised Progressive Lens	XTRActive Polarised (Grey Only)				NuPolar® Polarised							
	Material & Index	1.5	Trivex 1.53	SuperLite™ 1.6	SuperLite™ 1.67	1.5	1.5 (Gradient)	1.5 (Mirror)	Trilogy 1.53	Poly 1.59	1.59 Gradient	SuperLite™ 1.6
Hard Coat	✓	✓	NA	NA	✓	✓	✓	✓	✓	✓	NA	NA
Glacier™	✓	✓	✓	✓	✓	✓	NA	✓	NA	NA	✓	✓
Glacier™ Plus Range	✓	✓	✓	✓	✓	✓	NA	✓	NA	NA	✓	✓
SPH. Manufacture Range	-7.00 to +6.00	-7.00 to +6.00	-10.00 to +6.00	-10.00 to +8.00	-7.00 to +6.00	-7.00 to +6.00	-7.00 to +6.00	-8.00 to +6.00	-8.00 to +6.00	-8.00 to +6.00	-10.00 to +6.00	-10.00 to +8.00
CYL. Manufacture Range	-6.00	-6.00	-6.00	-6.00	-6.00	-6.00	-6.00	-6.00	-6.00	-6.00	-6.00	-6.00

Personalised Progressive Lens	Drivewear®		Infinite	Order Parameters
	Material & Index	1.5		
Hard Coat	✓	✓	✓	Monocular PDs
Glacier™	✓	✓	✓	Fit Pupil Centre
Glacier™ Plus Range	✓	✓	✓	
SPH. Manufacture Range	-7.00 to +6.00	-8.00 to +6.00	-7.00 to +6.00	
CYL. Manufacture Range	-6.00	-6.00	-6.00	

Indicates Rimless Fit  
\* Available in Style Colors

# Shamir Spectrum+™

powerful progressive lens, enhanced for comfortable reading

Minimum Fitting Heights: 14mm, 16mm & 18mm | ADD: 0.75-3.50

Personalised Progressive Lens	Clear					Clear High Index					
	Material & Index	1.5	Blue Zero™ 1.5	Trivex™ 1.53	Blue Zero™ 1.53	Poly 1.59	Superlite™ 1.6	Blue Zero™ 1.6	Tribrid™ 1.6	Superlite™ 1.67	Blue Zero™ 1.67
Hard Coat	✓	✓	✓	✓	✓	NA	NA	NA	NA	NA	NA
Glacier™	✓	✓	✓	✓	NA	✓	✓	✓	✓	✓	✓
Glacier™ Plus Range	✓	✓	✓	✓	NA	✓	✓	✓	✓	✓	✓
SPH. Manufacture Range	-7.00 to +6.00	-7.00 to +6.00	-8.00 to +6.00	-8.00 to +6.00	-8.00 to +6.00	-10.00 to +6.00	-10.00 to +6.00	-7.00 to +6.00	-10.00 to +8.00	-10.00 to +8.00	-13.00 to +13.00
CYL. Manufacture Range	-6.00	-6.00	-6.00	-6.00	-6.00	-6.00	-6.00	-6.00	-6.00	-6.00	-6.00

Personalised Progressive Lens	Transitions® Signature (Brown, Grey, Amethyst, Sapphire, Amber, Emerald)							Transitions® XTRActive II (Brown, Grey)				
	Material & Index	1.5 *	Trivex™ 1.53	Poly 1.59	SuperLite™ 1.6 *	Tribrid™ 1.6	SuperLite™ 1.67	SuperLite™ 1.74	1.5	Trivex™ 1.53	Poly 1.59	SuperLite™ 1.6
Hard Coat	✓	✓	✓	NA	NA	NA	NA	✓	✓	✓	NA	NA
Glacier™	✓	✓	NA	✓	✓	✓	✓	✓	✓	NA	✓	✓
Glacier™ Plus Range	✓	✓	NA	✓	✓	✓	✓	✓	✓	NA	✓	✓
SPH. Manufacture Range	-7.00 to +6.00	-8.00 to +6.00	-8.00 to +6.00	-10.00 to +6.00	-7.00 to +6.00	-10.00 to +8.00	-13.00 to +13.00	-7.00 to +6.00	-7.00 to +6.00	-8.00 to +6.00	-10.00 to +6.00	-10.00 to +8.00
CYL. Manufacture Range	-6.00	-6.00	-6.00	-6.00	-6.00	-6.00	-6.00	-6.00	-6.00	-6.00	-6.00	-6.00

Personalised Progressive Lens	XTRActive Polarised (Grey Only)				NuPolar® Polarised							
	Material & Index	1.5	Trivex™ 1.53	SuperLite™ 1.6	SuperLite™ 1.67	1.5	1.5 (Gradient)	1.5 (Mirror)	Trilogy 1.53	Poly 1.59	1.59 Gradient	SuperLite™ 1.6
Hard Coat	✓	✓	NA	NA	✓	✓	✓	✓	✓	✓	NA	NA
Glacier™	✓	✓	✓	✓	✓	✓	NA	✓	NA	NA	✓	✓
Glacier™ Plus Range	✓	✓	✓	✓	✓	✓	NA	✓	NA	NA	✓	✓
SPH. Manufacture Range	-7.00 to +6.00	-7.00 to +6.00	-10.00 to +6.00	-10.00 to +8.00	-7.00 to +6.00	-7.00 to +6.00	-7.00 to +6.00	-8.00 to +6.00	-8.00 to +6.00	-8.00 to +6.00	-10.00 to +6.00	-10.00 to +8.00
CYL. Manufacture Range	-6.00	-6.00	-6.00	-6.00	-6.00	-6.00	-6.00	-6.00	-6.00	-6.00	-6.00	-6.00

Personalised Progressive Lens	Drivewear®		Infinite	Order Parameters
	Material & Index	1.5		
Hard Coat	✓	✓	✓	Monocular PDs
Glacier™	✓	✓	✓	Fit Pupil Centre
Glacier™ Plus Range	✓	✓	✓	
SPH. Manufacture Range	-7.00 to +6.00	-8.00 to +6.00	-7.00 to +6.00	
CYL. Manufacture Range	-6.00	-6.00	-6.00	

Indicates Rimless Fit  
\* Available in Style Colors

# Shamir Spectrum™

An ergonomic everyday lens

Minimum Fitting Heights: 14mm, 16mm & 18mm | ADD: 0.75-3.50

Personalised Progressive Lens	Clear					Clear High Index					
	Material & Index	1.5	Blue Zero™ 1.5	Trivex™ 1.53	Blue Zero™ 1.53	Poly 1.59	SuperLite™ 1.6	Blue Zero™ 1.6	Tribrid™ 1.6	SuperLite™ 1.67	Blue Zero™ 1.67
Hard Coat	✓	✓	✓	✓	✓	NA	NA	NA	NA	NA	NA
Glacier™	✓	✓	✓	✓	NA	✓	✓	✓	✓	✓	✓
Glacier™ Plus Range	✓	✓	✓	✓	NA	✓	✓	✓	✓	✓	✓
SPH. Manufacture Range	-7.00 to +6.00	-7.00 to +6.00	-8.00 to +6.00	-8.00 to +6.00	-8.00 to +6.00	-10.00 to +6.00	-10.00 to +6.00	-7.00 to +6.00	-10.00 to +8.00	-10.00 to +8.00	-13.00 to +13.00
CYL. Manufacture Range	-6.00	-6.00	-6.00	-6.00	-6.00	-6.00	-6.00	-6.00	-6.00	-6.00	-6.00

Personalised Progressive Lens	Transitions® Signature (Brown, Grey, Amethyst, Sapphire, Amber, Emerald)							Transitions® XTRActive II (Brown, Grey)				
	Material & Index	1.5 *	Trivex™ 1.53	Poly 1.59	SuperLite™ 1.6 *	Tribrid™ 1.6	SuperLite™ 1.67	SuperLite™ 1.74	1.5	Trivex™ 1.53	Poly 1.59	SuperLite™ 1.6
Hard Coat	✓	✓	✓	NA	NA	NA	NA	✓	✓	✓	NA	NA
Glacier™	✓	✓	NA	✓	✓	✓	✓	✓	✓	NA	✓	✓
Glacier™ Plus Range	✓	✓	NA	✓	✓	✓	✓	✓	✓	NA	✓	✓
SPH. Manufacture Range	-7.00 to +6.00	-8.00 to +6.00	-8.00 to +6.00	-10.00 to +6.00	-7.00 to +6.00	-10.00 to +8.00	-13.00 to +13.00	-7.00 to +6.00	-7.00 to +6.00	-8.00 to +6.00	-10.00 to +6.00	-10.00 to +8.00
CYL. Manufacture Range	-6.00	-6.00	-6.00	-6.00	-6.00	-6.00	-6.00	-6.00	-6.00	-6.00	-6.00	-6.00

Personalised Progressive Lens	XTRActive Polarised (Grey Only)				NuPolar® Polarised							
	Material & Index	1.5	Trivex™ 1.53	SuperLite™ 1.6	SuperLite™ 1.67	1.5	1.5 (Gradient)	1.5 (Mirror)	Trilogy 1.53	Poly 1.59	1.59 Gradient	SuperLite™ 1.6
Hard Coat	✓	✓	NA	NA	✓	✓	✓	✓	✓	✓	NA	NA
Glacier™	✓	✓	✓	✓	✓	✓	NA	✓	NA	NA	✓	✓
Glacier™ Plus Range	✓	✓	✓	✓	✓	✓	NA	✓	NA	NA	✓	✓
SPH. Manufacture Range	-7.00 to +6.00	-7.00 to +6.00	-10.00 to +6.00	-10.00 to +8.00	-7.00 to +6.00	-7.00 to +6.00	-7.00 to +6.00	-8.00 to +6.00	-8.00 to +6.00	-8.00 to +6.00	-10.00 to +6.00	-10.00 to +8.00
CYL. Manufacture Range	-6.00	-6.00	-6.00	-6.00	-6.00	-6.00	-6.00	-6.00	-6.00	-6.00	-6.00	-6.00

Personalised Progressive Lens	Drivewear®		Infinite	Order Parameters
	Material & Index	1.5		
Hard Coat	✓	✓	✓	Monocular PDs
Glacier™	✓	✓	✓	Fit Pupil Centre
Glacier™ Plus Range	✓	✓	✓	
SPH. Manufacture Range	-7.00 to +6.00	-8.00 to +6.00	-7.00 to +6.00	
CYL. Manufacture Range	-6.00	-6.00	-6.00	

Indicates Rimless Fit  
\* Available in Style Colors

# Shamir Attitude™ Sport & Fashion

Choose your attitude.

Minimum Fitting Heights: 15mm & 18mm | ADD: 0.75-3.50

Personalised Progressive Lens	Clear			Clear High Index		
	1.5	Trivex™ 1.53	Poly 1.59	SuperLite™ 1.6	Tribrid™ 1.6	SuperLite™ 1.67
Material & Index	✓	✓	✓	✓	✓	✓
Hard Coat	✓	✓	✓	NA	NA	NA
Glacier™	✓	✓	NA	✓	✓	✓
Glacier™ Plus Range	✓	✓	NA	✓	✓	✓
SPH. Manufacture Range	-4.00 to +4.00	-4.00 to +4.00	-4.00 to +4.00	-4.00 to +4.00	-4.00 to +4.00	-4.00 to +4.00
CYL. Manufacture Range	-4.00	-4.00	-4.00	-4.00	-4.00	-4.00

Personalised Progressive Lens	Transitions® Signature (Brown, Grey, Amethyst, Sapphire, Amber, Emerald)						Transitions® XTRActive II (Brown, Grey)				
	1.5 *	Trivex™ 1.53	Poly 1.59	SuperLite™ 1.6 *	Tribrid™ 1.6	SuperLite™ 1.67	1.5	Trivex 1.53	Poly 1.59	SuperLite™ 1.6	SuperLite™ 1.67
Material & Index	✓	✓	✓	✓	✓	✓	✓	✓	✓	✓	✓
Hard Coat	✓	✓	✓	NA	NA	NA	✓	✓	✓	NA	NA
Glacier™	✓	✓	NA	✓	✓	✓	✓	✓	NA	✓	✓
Glacier™ Plus Range	✓	✓	NA	✓	✓	✓	✓	✓	NA	✓	✓
SPH. Manufacture Range	-4.00 to +4.00	-4.00 to +4.00	-4.00 to +4.00	-4.00 to +4.00	-4.00 to +4.00	-4.00 to +4.00	-4.00 to +4.00	-4.00 to +4.00	-4.00 to +4.00	-4.00 to +4.00	-4.00 to +4.00
CYL. Manufacture Range	-4.00	-4.00	-4.00	-4.00	-4.00	-4.00	-4.00	-4.00	-4.00	-4.00	-4.00

Personalised Progressive Lens	XTRActive Polarised (Grey Only)				NuPolar® Polarised							
	1.5	Trivex 1.53	SuperLite™ 1.6	SuperLite™ 1.67	1.5	1.5 (Gradient)	1.5 (Mirror)	Trilogy 1.53	Poly 1.59	1.59 Gradient	SuperLite™ 1.6	SuperLite™ 1.67
Material & Index	✓	✓	✓	✓	✓	✓	✓	✓	✓	✓	✓	✓
Hard Coat	✓	✓	NA	NA	✓	✓	✓	✓	✓	✓	NA	NA
Glacier™	✓	✓	✓	✓	✓	✓	NA	✓	NA	NA	✓	✓
Glacier™ Plus Range	✓	✓	✓	✓	✓	✓	NA	✓	NA	NA	✓	✓
SPH. Manufacture Range	-4.00 to +4.00	-4.00 to +4.00	-4.00 to +4.00	-4.00 to +4.00	-4.00 to +4.00	-4.00 to +4.00	-4.00 to +4.00	-4.00 to +4.00	-4.00 to +4.00	-4.00 to +4.00	-4.00 to +4.00	-4.00 to +4.00
CYL. Manufacture Range	-4.00	-4.00	-4.00	-4.00	-4.00	-4.00	-4.00	-4.00	-4.00	-4.00	-4.00	-4.00

Personalised Progressive Lens	Drivewear®		Infinite	Order Parameters
	1.5	Trilogy 1.53		
Material & Index	✓	✓	✓	Monocular Heights
Hard Coat	✓	✓	✓	Monocular PDs
Glacier™	✓	✓	✓	Fit Pupil Centre
Glacier™ Plus Range	✓	✓	✓	Panoramic Measurements
SPH. Manufacture Range	-4.00 to +4.00	-4.00 to +4.00	-4.00 to +4.00	
CYL. Manufacture Range	-4.00	-4.00	-4.00	

Indicates Rimless Fit  
 \* Available in Style Colors

# Shamir Smart Office™

Perfect vision throughout the occupational arc.

Minimum Fitting Heights: 14mm | ADD: 0.75-3.50

Personalised Office Lens	Clear					Clear High Index				
	1.5	Blue Zero™ 1.5	Trivex™ 1.53	Blue Zero™ 1.53	Poly 1.59	Superlite™ 1.6	Blue Zero™ 1.6	Tribrid™ 1.6	Superlite™ 1.67	Blue Zero™ 1.67
Material & Index	✓	✓	✓	✓	✓	NA	NA	NA	NA	NA
Hard Coat	✓	✓	✓	✓	✓	✓	✓	✓	✓	✓
Glacier™	✓	✓	✓	✓	NA	✓	✓	✓	✓	✓
Glacier™ Plus Range	✓	✓	✓	✓	NA	✓	✓	✓	✓	✓
SPH. Manufacture Range	-6.00 to +6.00	-6.00 to +6.00	-6.00 to +6.00	-6.00 to +6.00	-6.00 to +6.00	-6.00 to +6.00	-6.00 to +6.00	-6.00 to +6.00	-10.00 to +8.00	-10.00 to +8.00
CYL. Manufacture Range	-6.00	-6.00	-6.00	-6.00	-6.00	-6.00	-6.00	-6.00	-6.00	-6.00

Personalised Office Lens	Transitions® Signature (Brown, Grey, Amethyst, Sapphire, Amber, Emerald)					Transitions® XTRActive II (Brown, Grey)				
	1.5	Trivex™ 1.53	Poly 1.59	SuperLite™ 1.6	SuperLite™ 1.67	1.5	Trivex™ 1.53	Poly 1.59	SuperLite™ 1.6	SuperLite™ 1.67
Material & Index	✓	✓	✓	NA	NA	✓	✓	✓	NA	NA
Hard Coat	✓	✓	✓	NA	NA	✓	✓	✓	✓	✓
Glacier™	✓	✓	NA	✓	✓	✓	✓	NA	✓	✓
Glacier™ Plus Range	✓	✓	NA	✓	✓	✓	✓	NA	✓	✓
SPH. Manufacture Range	-6.00 to +6.00	-6.00 to +6.00	-6.00 to +6.00	-6.00 to +6.00	-10.00 to +8.00	-6.00 to +6.00	-6.00 to +6.00	-6.00 to +6.00	-6.00 to +6.00	-10.00 to +8.00
CYL. Manufacture Range	-6.00	-6.00	-6.00	-6.00	-6.00	-6.00	-6.00	-6.00	-6.00	-6.00

Order Parameters
Monocular Heights
Monocular PDs
Fit Pupil Centre

Indicates Rimless Fit

# Shamir Computer™ & Workspace™

Keeping the office in perfect focus.

Minimum Fitting Heights: 14mm | Pupil to Top Rim Minimum Height: 10mm | ADD: 0.75-3.50



Personalised Office Lens	Clear					Clear High Index				
Material & Index	1.5	Blue Zero™ 1.5	Trivex™ 1.53	Blue Zero 1.53	Poly 1.59	Superlite™ 1.6	Blue Zero™ 1.6	Tribrid™ 1.6	Superlite™ 1.67	Blue Zero™ 1.67
Hard Coat	✓	✓	✓	✓	✓	NA	NA	NA	NA	NA
Glacier™	✓	✓	✓	✓	NA	✓	✓	✓	✓	✓
Glacier™ Plus Range	✓	✓	✓	✓	NA	✓	✓	✓	✓	✓
SPH. Manufacture Range	-6.00 to +6.00	-6.00 to +6.00	-6.00 to +6.00	-6.00 to +6.00	-6.00 to +6.00	-6.00 to +6.00	-6.00 to +6.00	-6.00 to +6.00	-10.00 to +8.00	-10.00 to +8.00
CYL. Manufacture Range	-6.00	-6.00	-6.00	-6.00	-6.00	-6.00	-6.00	-6.00	-6.00	-6.00



Personalised Office Lens	Transitions® Signature (Brown, Grey, Amethyst, Sapphire, Amber, Emerald)					Transitions® XTRActive II (Brown, Grey)				
Material & Index	1.5	Trivex™ 1.53	Poly 1.59	SuperLite™ 1.6	SuperLite™ 1.67	1.5	Trivex 1.53	Poly 1.59	SuperLite™ 1.6	SuperLite™ 1.67
Hard Coat	✓	✓	✓	NA	NA	✓	✓	✓	NA	NA
Glacier™	✓	✓	NA	✓	✓	✓	✓	NA	✓	✓
Glacier™ Plus Range	✓	✓	NA	✓	✓	✓	✓	NA	✓	✓
SPH. Manufacture Range	-6.00 to +6.00	-6.00 to +6.00	-6.00 to +6.00	-6.00 to +6.00	-10.00 to +8.00	-6.00 to +6.00	-6.00 to +6.00	-6.00 to +6.00	-6.00 to +6.00	-10.00 to +8.00
CYL. Manufacture Range	-6.00	-6.00	-6.00	-6.00	-6.00	-6.00	-6.00	-6.00	-6.00	-6.00

Order Parameters
Monocular Heights
Monocular PDs
Fit Pupil Centre

Indicates Rimless Fit

# Shamir Vocational Digital™

An enhanced single vision occupational lens.

Minimum Fitting Heights: 15mm | Pupil to Top Rim Minimum Height: 15mm | Available in 3 shifts: 0.75, 1.25, 1.75



Occupational Lens	Clear				Clear High Index	
	1.5	Blue Zero™ 1.5	Trivex™ 1.53	Blue Zero 1.53	Superlite™ 1.6	Blue Zero™ 1.6
Material & Index	1.5	Blue Zero™ 1.5	Trivex™ 1.53	Blue Zero 1.53	Superlite™ 1.6	Blue Zero™ 1.6
Hard Coat	✓	✓	✓	✓	NA	NA
Glacier™	✓	✓	✓	✓	✓	✓
Glacier™ Plus Range	✓	✓	✓	✓	✓	✓
SPH. Manufacture Range	-7.00 to +6.00	-7.00 to +6.00	-8.00 to +6.00	-8.00 to +6.00	-10.00 to +6.00	-10.00 to +6.00
CYL. Manufacture Range	-6.00	-6.00	-6.00	-6.00	-6.00	-6.00



Occupational Lens	Transitions® Signature (Brown, Grey, Amethyst, Sapphire, Amber, Emerald)		
	1.5	Trivex™ 1.53	SuperLite™ 1.6
Material & Index	1.5	Trivex™ 1.53	SuperLite™ 1.6
Hard Coat	✓	✓	NA
Glacier™	✓	✓	✓
Glacier™ Plus Range	✓	✓	✓
SPH. Manufacture Range	-7.00 to +6.00	-8.00 to +6.00	-10.00 to +6.00
CYL. Manufacture Range	-6.00	-6.00	-6.00

Order Parameters
Monocular Heights
Monocular PDs
Fit Pupil Centre

Indicates Rimless Fit

# Shamir SV III As-Worn™

Perfect vision. Perfect look.

Personalised Single Vision Lens	Clear					Clear High Index					
	Material & Index	1.5	Blue Zero™ 1.5	Trivex™ 1.53	Blue Zero™ 1.53	Poly 1.59	Superlite™ 1.6	Blue Zero™ 1.6	Tribrid™ 1.6	Superlite™ 1.67	Blue Zero™ 1.67
Hard Coat	✓	✓	✓	✓	✓	NA	NA	NA	NA	NA	NA
Glacier™	✓	✓	✓	✓	NA	✓	✓	✓	✓	✓	✓
Glacier™ Plus Range	✓	✓	✓	✓	NA	✓	✓	✓	✓	✓	✓
SPH. Manufacture Range	-7.00 to +6.00	-7.00 to +6.00	-8.00 to +6.00	-8.00 to +6.00	-8.00 to +6.00	-10.00 to +6.00	-10.00 to +6.00	-7.00 to +6.00	-10.00 to +8.00	-10.00 to +8.00	-13.00 to +13.00
CYL. Manufacture Range	-6.00	-6.00	-6.00	-6.00	-6.00	-6.00	-6.00	-6.00	-6.00	-6.00	-6.00

Personalised Single Vision Lens	Transitions® Signature (Brown, Grey, Amethyst, Sapphire, Amber, Emerald)							Transitions® XTRActive II (Brown, Grey)				
	Material & Index	1.5 *	Trivex™ 1.53	Poly 1.59	SuperLite™ 1.6 *	Tribrid™ 1.6	SuperLite™ 1.67	SuperLite™ 1.74	1.5	Trivex™ 1.53	Poly 1.59	SuperLite™ 1.6
Hard Coat	✓	✓	✓	NA	NA	NA	NA	✓	✓	✓	NA	NA
Glacier™	✓	✓	NA	✓	✓	✓	✓	✓	✓	NA	✓	✓
Glacier™ Plus Range	✓	✓	NA	✓	✓	✓	✓	✓	✓	NA	✓	✓
SPH. Manufacture Range	-7.00 to +6.00	-8.00 to +6.00	-8.00 to +6.00	-10.00 to +6.00	-7.00 to +6.00	-10.00 to +8.00	-13.00 to +13.00	-7.00 to +6.00	-8.00 to +6.00	-8.00 to +6.00	-10.00 to +6.00	-10.00 to +8.00
CYL. Manufacture Range	-6.00	-6.00	-6.00	-6.00	-6.00	-6.00	-6.00	-6.00	-6.00	-6.00	-6.00	-6.00

Personalised Single Vision Lens	XTRActive Polarised (Grey Only)				NuPolar® Polarised							
	Material & Index	1.5	Trivex™ 1.53	SuperLite™ 1.6	SuperLite™ 1.67	1.5	1.5 (Gradient)	1.5 (Mirror)	Trilogy 1.53	Poly 1.59	1.59 Gradient	SuperLite™ 1.6
Hard Coat	✓	✓	NA	NA	✓	✓	✓	✓	✓	✓	NA	NA
Glacier™	✓	✓	✓	✓	✓	✓	NA	✓	NA	NA	✓	✓
Glacier™ Plus Range	✓	✓	✓	✓	✓	✓	NA	✓	NA	NA	✓	✓
SPH. Manufacture Range	-7.00 to +6.00	-8.00 to +6.00	-10.00 to +6.00	-10.00 to +8.00	-7.00 to +6.00	-7.00 to +6.00	-7.00 to +6.00	-8.00 to +6.00	-8.00 to +6.00	-6.00 to +6.00	-10.00 to +6.00	-10.00 to +8.00
CYL. Manufacture Range	-6.00	-6.00	-6.00	-6.00	-6.00	-6.00	-6.00	-6.00	-6.00	-6.00	-6.00	-6.00

Personalised Single Vision Lens	Drivewear®		Order Parameters
	Material & Index	1.5	
Hard Coat	✓	✓	Monocular Heights
Glacier™	✓	✓	Monocular PDs
Glacier™ Plus Range	✓	✓	Fit Pupil Centre
SPH. Manufacture Range	-7.00 to +6.00	-8.00 to +6.00	Panoramic Measurements
CYL. Manufacture Range	-6.00	-6.00	

Indicates Rimless Fit  
 \* Available in Style Colors

# Shamir Attitude™ III SV

Choose your attitude

Personalised Single Vision Lens	Clear			Clear High Index		
	1.5	Trivex™ 1.53	Poly 1.59	Superlite™ 1.6	Tribrid™ 1.6	Superlite™ 1.67
Material & Index	✓	✓	✓	NA	NA	NA
Hard Coat	✓	✓	NA	✓	✓	✓
Glacier™	✓	✓	NA	✓	✓	✓
Glacier™ Plus Range	✓	✓	NA	✓	✓	✓
SPH. Manufacture Range	-4.00 to +4.00	-4.00 to +4.00	-4.00 to +4.00	-4.00 to +4.00	-4.00 to +4.00	-4.00 to +4.00
CYL. Manufacture Range	-4.00	-4.00	-4.00	-4.00	-4.00	-4.00

Personalised Single Vision Lens	Transitions® Signature (Brown, Grey, Amethyst, Sapphire, Amber, Emerald)					Transitions® XTRActive II (Brown, Grey)				
	1.5 *	Trivex™ 1.53	Poly 1.59	SuperLite™ 1.6 *	SuperLite™ 1.67	1.5	Trivex 1.53	Poly 1.59	SuperLite™ 1.6	SuperLite™ 1.67
Material & Index	✓	✓	✓	NA	NA	✓	✓	✓	NA	NA
Hard Coat	✓	✓	NA	✓	✓	✓	✓	NA	✓	✓
Glacier™	✓	✓	NA	✓	✓	✓	✓	NA	✓	✓
Glacier™ Plus Range	✓	✓	NA	✓	✓	✓	✓	NA	✓	✓
SPH. Manufacture Range	-4.00 to +4.00	-4.00 to +4.00	-4.00 to +4.00	-4.00 to +4.00	-4.00 to +4.00	-4.00 to +4.00	-4.00 to +4.00	-4.00 to +4.00	-4.00 to +4.00	-4.00 to +4.00
CYL. Manufacture Range	-4.00	-4.00	-4.00	-4.00	-4.00	-4.00	-4.00	-4.00	-4.00	-4.00

Personalised Single Vision Lens	XTRActive Polarised (Grey Only)				NuPolar® Polarised							
	1.5	Trivex 1.53	SuperLite™ 1.6	SuperLite™ 1.67	1.5	1.5 (Gradient)	1.5 (Mirror)	Trilogy 1.53	Poly 1.59	1.59 Gradient	SuperLite™ 1.6	Superlite™ 1.67
Material & Index	✓	✓	NA	NA	✓	✓	✓	✓	✓	✓	NA	NA
Hard Coat	✓	✓	✓	✓	✓	✓	NA	✓	✓	✓	✓	✓
Glacier™	✓	✓	✓	✓	✓	✓	NA	✓	✓	✓	✓	✓
Glacier™ Plus Range	✓	✓	✓	✓	✓	✓	NA	✓	✓	✓	✓	✓
SPH. Manufacture Range	-4.00 to +4.00	-4.00 to +4.00	-4.00 to +4.00	-4.00 to +4.00	-4.00 to +4.00	-4.00 to +4.00	-4.00 to +4.00	-4.00 to +4.00	-4.00 to +4.00	-4.00 to +4.00	-4.00 to +4.00	-4.00 to +4.00
CYL. Manufacture Range	-4.00	-4.00	-4.00	-4.00	-4.00	-4.00	-4.00	-4.00	-4.00	-4.00	-4.00	-4.00

Personalised Single Vision Lens	Drivewear®		Order Parameters
	1.5	Trilogy 1.53	
Material & Index	✓	✓	Monocular Heights
Hard Coat	✓	✓	Monocular PDs
Glacier™	✓	✓	Fit Pupil Centre
Glacier™ Plus Range	✓	✓	Panoramic Measurements
SPH. Manufacture Range	-4.00 to +4.00	-4.00 to +4.00	
CYL. Manufacture Range	-4.00	-4.00	

Indicates Rimless Fit

\* Available in Style Colors

# Shamir Relax™

Say goodbye to tired eyes.

Minimum Fitting Heights: 16mm | ADD: 0.50, 0.65, 0.80



Personalised Single Vision Lens	Clear				Clear High Index				
Material & Index	1.5	Blue Zero™ 1.5	Trivex™ 1.53	Blue Zero™ 1.53	SuperLite™ 1.6	Blue Zero™ 1.6	Tribrid™ 1.6	SuperLite™ 1.67	Blue Zero™ 1.67
Hard Coat	✓	✓	✓	✓	NA	NA	NA	NA	NA
Glacier™	✓	✓	✓	✓	✓	✓	✓	✓	✓
Glacier™ Plus Range	✓	✓	✓	✓	✓	✓	✓	✓	✓
SPH. Manufacture Range	-7.00 to +6.00	-7.00 to +6.00	-8.00 to +6.00	-8.00 to +6.00	-10.00 to +6.00	-10.00 to +6.00	-7.00 to +6.00	-10.00 to +8.00	-10.00 to +8.00
CYL. Manufacture Range	-6.00	-6.00	-6.00	-6.00	-6.00	-6.00	-6.00	-6.00	-6.00



Personalised Single Vision Lens	Transitions® Signature (Brown, Grey, Amethyst, Sapphire, Amber, Emerald)					Transitions® XTRActive II (Brown, Grey)			
Material & Index	1.5 *	Trivex™ 1.53	SuperLite™ 1.6 *	Tribrid™ 1.6	SuperLite™ 1.67	1.5	Trivex 1.53	SuperLite™ 1.6	SuperLite™ 1.67
Hard Coat	✓	✓	NA	NA	NA	✓	✓	NA	NA
Glacier™	✓	✓	✓	✓	✓	✓	✓	✓	✓
Glacier™ Plus Range	✓	✓	✓	✓	✓	✓	✓	✓	✓
SPH. Manufacture Range	-7.00 to +6.00	-8.00 to +6.00	-7.00 to +6.00	-10.00 to +8.00	-10.00 to +8.00	-7.00 to +6.00	-8.00 to +6.00	-10.00 to +6.00	-10.00 to +8.00
CYL. Manufacture Range	-6.00	-6.00	-6.00	-6.00	-6.00	-6.00	-6.00	-6.00	-6.00



Personalised Single Vision Lens	XTRActive Polarised (Grey Only)				NuPolar® Polarised			
Material & Index	1.5	Trivex 1.53	SuperLite™ 1.6	SuperLite™ 1.67	1.5	Trilogy 1.53	SuperLite™ 1.6	SuperLite™ 1.67
Hard Coat	✓	✓	NA	NA	✓	✓	NA	NA
Glacier™	✓	✓	✓	✓	✓	✓	✓	✓
Glacier™ Plus Range	✓	✓	✓	✓	✓	✓	✓	✓
SPH. Manufacture Range	-7.00 to +6.00	-8.00 to +6.00	-10.00 to +6.00	-10.00 to +8.00	-7.00 to +6.00	-8.00 to +6.00	-10.00 to +6.00	-10.00 to +8.00
CYL. Manufacture Range	-6.00	-6.00	-6.00	-6.00	-6.00	-6.00	-6.00	-6.00

Order Parameters
Monocular Heights
Monocular PDs
Fit Pupil Centre

Indicates Rimless Fit

\* Available in Style Colors

# Shamir DUO™

FreeForm Bifocal. A new vision in harmony.

Minimum Fitting Heights: 15mm | ADD: 0.75-4.00

FreeForm Bifocal Lens	Clear					Clear High Index					
	Material & Index	1.5	Blue Zero™ 1.5	Trivex™ 1.53	Blue Zero™ 1.53	Poly 1.59	Superlite™ 1.6	Blue Zero™ 1.6	Tribrid™ 1.6	Superlite™ 1.67	Blue Zero™ 1.67
Hard Coat	✓	✓	✓	✓	✓	NA	NA	NA	NA	NA	NA
Glacier™	✓	✓	✓	✓	NA	✓	✓	✓	✓	✓	✓
Glacier™ Plus Range	✓	✓	✓	✓	NA	✓	✓	✓	✓	✓	✓
SPH. Manufacture Range	-7.00 to +6.00	-7.00 to +6.00	-8.00 to +6.00	-8.00 to +6.00	-8.00 to +6.00	-10.00 to +6.00	-10.00 to +6.00	-7.00 to +6.00	-10.00 to +8.00	-10.00 to +8.00	-13.00 to +13.00
CYL. Manufacture Range	-6.00	-6.00	-6.00	-6.00	-6.00	-6.00	-6.00	-6.00	-6.00	-6.00	-6.00

FreeForm Bifocal Lens	Transitions® Signature (Brown, Grey, Amethyst, Sapphire, Amber, Emerald)							Transitions® XTRActive II (Brown, Grey)				
	Material & Index	1.5	Trivex™ 1.53	Poly 1.59	SuperLite™ 1.6	Tribrid™ 1.6	SuperLite™ 1.67	SuperLite™ 1.74	1.5	Trivex™ 1.53	Poly 1.59	SuperLite™ 1.6
Hard Coat	✓	✓	✓	NA	NA	NA	NA	✓	✓	✓	NA	NA
Glacier™	✓	✓	NA	✓	✓	✓	✓	✓	✓	NA	✓	✓
Glacier™ Plus Range	✓	✓	NA	✓	✓	✓	✓	✓	✓	NA	✓	✓
SPH. Manufacture Range	-7.00 to +6.00	-8.00 to +6.00	-8.00 to +6.00	-10.00 to +6.00	-7.00 to +6.00	-10.00 to +8.00	-13.00 to +13.00	-7.00 to +6.00	-8.00 to +6.00	-8.00 to +6.00	-10.00 to +6.00	-10.00 to +8.00
CYL. Manufacture Range	-6.00	-6.00	-6.00	-6.00	-6.00	-6.00	-6.00	-6.00	-6.00	-6.00	-6.00	-6.00

FreeForm Bifocal Lens	XTRActive Polarised (Grey Only)				NuPolar® Polarised				
	Material & Index	1.5	Trivex™ 1.53	SuperLite™ 1.6	SuperLite™ 1.67	Trilogy 1.53	Poly 1.59	1.59 Gradient	SuperLite™ 1.6
Hard Coat	✓	✓	NA	NA	✓	✓	✓	NA	NA
Glacier™	✓	✓	✓	✓	✓	NA	NA	✓	✓
Glacier™ Plus Range	✓	✓	✓	✓	NA	NA	NA	NA	NA
SPH. Manufacture Range	-7.00 to +6.00	-8.00 to +6.00	-10.00 to +6.00	-10.00 to +8.00	-8.00 to +6.00	-8.00 to +6.00	-6.00 to +6.00	-10.00 to +6.00	-10.00 to +8.00
CYL. Manufacture Range	-6.00	-6.00	-6.00	-6.00	-6.00	-6.00	-6.00	-6.00	-6.00

FreeForm Bifocal Lens	Drivewear®		Infinite	Order Parameters
	Material & Index	1.5		
Hard Coat	✓	✓	✓	Monocular PDs
Glacier™	✓	✓	✓	
Glacier™ Plus Range	✓	✓	✓	
SPH. Manufacture Range	-7.00 to +6.00	-8.00 to +6.00	-7.00 to +6.00	
CYL. Manufacture Range	-6.00	-6.00	-6.00	

Indicates Rimless Fit

# Shamir Bifocal

Bifocal Lens	Clear					Clear High Index Flat Top 28	Transitions XTRActive Flat Top 28
	1.5	1.5	1.5 High Additions	Trilogy™ 1.53	Poly 1.59		
Material & Index	70	76	76	76	75	Superlite™ 1.67	1.5
Front Hard Coat	✓	✓	NA	NA	NA	NA	NA
Front/ Back Hard Coat	✓	✓	✓	✓	✓	NA	NA
Glacier™	✓	✓	✓	NA	NA	✓	✓
SPH. Manufacture Range	-9.00 to +8.00	-9.00 to +8.00	-9.00 to +8.00	-9.00 to +8.00	-9.00 to +8.00	-12.00 to +9.00	-12.00 to +9.00
CYL. Manufacture Range	-6.00	-6.00	-6.00	-6.00	-6.00	-10.00	-10.00

Bifocal Lens	Transitions Signature Flat Top 28			NuPolar® Flat Top 28		
	1.5	Trilogy™ 1.53	1.5 High Additions	1.5	Poy 1.59	1.6
Material & Index	76	74	78	76	74	74
Front Hard Coat	✓	NA	NA	✓	✓	NA
Front/ Back Hard Coat	✓	✓	✓	✓	NA	NA
Glacier™	✓	NA	✓	✓	NA	✓
SPH. Manufacture Range	-9.00 to +8.00	-9.00 to +8.00	-9.00 to +8.00	-9.00 to +8.00	-9.00 to +8.00	-9.00 to +8.00
CYL. Manufacture Range	-6.00	-6.00	-6.00	-6.00	-6.00	-6.00

Bifocal Lens	Clear Flat Top 35	Transitions Signature Flat Top 35	NuPolar® Flat Top 35
	1.5	1.5	1.5
Material & Index	76	76	76
Front Hard Coat	✓	✓	✓
Front/ Back Hard Coat	✓	✓	✓
Glacier™	NA	NA	NA
SPH. Manufacture Range	-9.00 to +8.00	-9.00 to +8.00	-9.00 to +8.00
CYL. Manufacture Range	-6.00	-6.00	-6.00

Order Parameters
Hard Coat as Standard

Indicates Rimless Fit

# Shamir Standard Grind Lenses

Single Vision Grind	Clear						Clear High Index					
	1.5	1.5	Blue Zero™ 1.5	Trivex™ 1.53	Blue Zero 1.53	Poly 1.59	Superlite™ 1.6	Blue Zero™ 1.6	Tribrid™ 1.6	Superlite™ 1.67	Blue Zero™ 1.67	Superlite™ 1.74
Material & Index	70	75	70	75	75	75	70	70	70	70	70	70
Front/ Back Hard Coat	✓	✓	✓	✓	✓	✓	NA	NA	NA	NA	NA	NA
Glacier™	✓	✓	✓	✓	✓	✓	✓	✓	✓	✓	✓	✓
Glacier™ Plus Range	✓	✓	✓	✓	✓	✓	✓	✓	✓	✓	✓	✓
SPH. Manufacture Range	-10.00 to +8.00	-10.00 to +8.00	-10.00 to +8.00	-9.00 to +8.00	-10.00 to +8.00	-12.00 to +8.00	-10.00 to +8.00	-10.00 to +8.00	-10.00 to +8.00	-10.00 to +8.00	-10.00 to +8.00	-13.00 to +17.00
CYL. Manufacture Range	-8.00	-8.00	-8.00	-8.00	-8.00	-8.00	-6.00	-6.00	-6.00	-6.00	-6.00	-6.00

Single Vision Grind	Transitions® Signature (Brown, Grey, Amethyst, Sapphire, Amber, Emerald)					Transitions® XTRActive II (Brown, Grey)				
	1.5 *	Trivex™ 1.53	Poly 1.59	SuperLite™ 1.6 *	SuperLite™ 1.67	1.5	Trivex 1.53	Poly 1.59	SuperLite™ 1.6	SuperLite™ 1.67
Material & Index	75	76	75	72	72	75	75	75	72	72
Front/ Back Hard Coat	✓	✓	✓	NA	NA	✓	✓	✓	NA	NA
Glacier™	✓	✓	NA	✓	✓	✓	✓	NA	✓	✓
Glacier™ Plus Range	✓	✓	NA	✓	✓	✓	✓	NA	✓	✓
SPH. Manufacture Range	-10.00 to +8.00	-10.00 to +8.00	-10.00 to +8.00	-12.00 to +8.00	-12.00 to +8.00	-10.00 to +8.00	-10.00 to +8.00	-10.00 to +8.00	-10.00 to +10.00	-10.00 to +8.00
CYL. Manufacture Range	-8.00	-8.00	-8.00	-8.00	-8.00	-6.00	-8.00	-6.00	-6.00	-6.00

Single Vision Grind	XTRActive Polarised (Grey Only)				NuPolar® Polarised							
	1.5	Trivex 1.53	SuperLite™ 1.6	SuperLite™ 1.67	1.5	1.5 (Gradient)	1.5 (Mirror)	Trilogy 1.53	Poly 1.59	1.59 Gradient	SuperLite™ 1.6	Superlite™ 1.67
Material & Index	75	76	72	72	75	75	75	75	75	75	75	75
Front/ Back Hard Coat	✓	✓	✓	✓	✓	✓	✓	✓	✓	✓	NA	NA
Glacier™	✓	✓	✓	✓	✓	✓	NA	✓	NA	NA	✓	✓
Glacier™ Plus Range	✓	✓	NA	NA	✓	✓	NA	✓	NA	NA	✓	✓
SPH. Manufacture Range	-7.00 to +6.00	-8.00 to +6.00	-10.00 to +6.00	-10.00 to +8.00	-7.00 to +6.00	-7.00 to +6.00	-7.00 to +6.00	-8.00 to +6.00	-8.00 to +6.00	-6.00 to +6.00	-10.00 to +6.00	-10.00 to +8.00
CYL. Manufacture Range	-6.00	-6.00	-6.00	-6.00	-6.00	-6.00	-6.00	-6.00	-6.00	-6.00	-6.00	-6.00

Single Vision Grind	Drivewear®		Infinite	Order Parameters
	1.5	Trilogy 1.53		
Material & Index	75	74	75	Monocular Heights Monocular PDs Fit Pupil Centre Panoramic Measurements
Front/ Back Hard Coat	✓	✓	✓	
Glacier™	✓	✓	✓	
Glacier™ Plus Range	✓	✓	✓	
SPH. Manufacture Range	-10.00 to +8.00	-10.00 to +8.00	-10.00 to +8.00	
CYL. Manufacture Range	-8.00	-8.00	-8.00	

Indicates Rimless Fit  
\* Available in Style Colors

# Shamir Stock Availability

## Power Ranges

1.50 Hard Coat & Glacier Multi Coat	
65mm Plus	+0.25/-2.00 to +6.00/-2.00
70mm Plus	+0.25/-2.00 to +4.00/-2.00
70mm Minus	0.00/-2.00 to -6.00/-2.00

1.50 Glacier Plus™ UV Coat	
65mm Plus	+0.25/-2.00 to +6.00/-2.00
70mm Minus	0.00/-2.00 to -6.00/-2.00

1.50 Blue Zero™ Glacier™ Multi Coat	
65mm Plus	+0.25/-2.00 to +6.00/-2.00
70mm Minus	0.00/-2.00 to -6.00 combined

1.50 Glacier™ Blue Shield® UV Coat	
65mm Plus	+0.25/-2.00 to +4.00/-2.00
70mm Minus	0.00/-2.00 to -6.00/-2.00

1.50 Transitions® Signature Hard Coat & Multicoat 1.50 Transitions® XTRActive® Hard Coat Only	
65/70mm Plus	+0.25/-2.00 to +4.00/-2.00
70mm Minus	0.00/-2.00 to -4.00 combined

1.53 Trivex Hard Coat & Glacier™ Multi Coat	
65mm Plus	+0.25/-2.00 to +4.00/-2.00
70mm Minus	0.00/-2.00 to -6.00 combined

1.59 Polycarbonate Hard Coat & Multi Coat	
65mm Plus	+0.25/-2.00 to +4.00/-2.00
70mm Minus	0.00/-2.00 to -6.00 combined

1.59 Polycarbonate Transitions® Signature Hard Coat & Mult Coat	
65mm Plus	+0.25/-2.00 to +4.00/-2.00
70mm Minus	0.00/-2.00 to -6.00 combined

1.60 Glacier™ Multi Coat	
65mm Plus	+0.25/-2.00 to +6.00/-2.00
70mm Minus	0.00/-2.00 to -8.00/-2.00

1.60 Blue Zero™ Glacier™ Multi Coat	
65mm Plus	+0.25/-2.00 to +6.00/-2.00
70mm Minus	0.00/-2.00 to -8.00 Combined

1.60 Glacier Plus™ UV Coat	
65mm Plus	+0.25/-2.00 to +6.00/-2.00
75mm Minus	0.00/-2.00 to -6.00/-2.00

1.60 Glacier™ Blue Shield® UV Coat	
65mm Plus	+0.25/-2.00 to +6.00/-2.00
70mm Minus	0.00/-2.00 to -8.00/-2.00

1.60 Transitions® Signature Hard Coat & Multi Coat	
65mm Plus	+0.25/-2.00 to +6.00/-2.00
70mm Minus	0.00/-2.00 to -8.00 Combined

1.67 Glacier™ Multi Coat	
70mm Minus	-2.00/-2.00 to -10.00/-2.00

1.67 Extended Multi Coat	
65mm Plus	+0.25/-6.00 to +10.00/-6.00
70mm Minus	0.00/-6.00 to -17.00 Combined

1.67 Blue Zero™ Glacier™ Multi Coat	
65mm Plus	+0.25/-2.00 to +6.00/-2.00
70mm Minus	0.00/-2.00 to -10.00/-2.00

1.74 Glacier™ Multi Coat	
75mm Minus	-3.00/-2.00 to -10.00/-2.00

Please use this table as a guide only as power ranges and availability are subject to changes.

# Shamir Stock Availability

Pricing

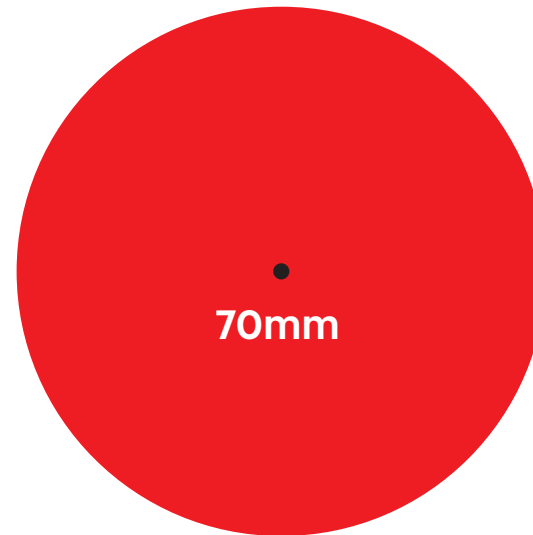
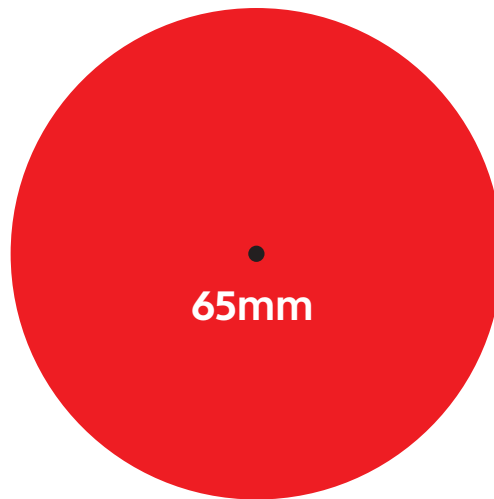
Stock Lenses		Clear					Clear High Index					
Material & Index	1.5	Blue Zero 1.5	Trilogy 1.53	Poly 1.59	Poly 1.59 (ext. Range)	1.6	Blue Zero 1.6	1.67 up to -2.00d cyl Minus Lenses	Blue Zero 1.67	1.67 up to -6.00d cyl	SuperLite™ 1.74	
	65/70	65/70	65/70	65/70	70	65/70	65/70	70	65/70	65	70	
Hard Coat	✓	NA	✓	✓	NA	NA	NA	✓	NA	NA	✓	
Glacier™	✓	✓	✓	✓	✓	✓	✓	✓	✓	✓	NA	
Glacier Plus™	✓	NA	NA	NA	NA	✓	NA	NA	NA	NA	NA	
Glacier™ Blue Shield	✓	NA	NA	NA	NA	✓	NA	NA	NA	NA	NA	

Stock Lenses		Transitions® Signature	
Material & Index	1.5	Poly 1.59	
	65/70	65/70	65/70
Hard Coat	✓	✓	✓
Glacier™	✓	✓	✓
Glacier Plus™	✓	NA	NA
Glacier™ Blue Shield	✓	NA	NA

Stock Lenses		Transitions® Xtractive	
Material & Index	1.5		
	65/70		
Hard Coat	✓		
Glacier™	NA		
Glacier Plus™	NA		
Glacier™ Blue Shield	NA		

## Are stock lenses suitable for the job?

- Dot the patients PD and Heights on the chosen frame inserts.
- Place this dot over the dot on the 65mm or 70mm circle.
- If the frame fits within the circle, this is a good indicator that stock lenses will be suitable.
- If not, you will need to choose an RX product or call Shamir for advice.



Indicates Rimless Fit

# Shamir Glass Lens Range

## Special Materials

**GLASS LENSES** Providing excellent optical performance, glass lenses have a great surface hardness, are scratch resistant, and durable.

Shamir Progressives - Genesis	Index	Diameter	Fitting Ht	ADD Range	HC	MC	Flash Mirror Coated*
Genesis Glass 1.6 (Clear)	1.6	70	19	0.75-3.50	POA - Please contact us for more information.		NA
Genesis Glass Photochromatic Grey/ Brown	1.6	70	19	0.75-3.50			NA
Genesis Glass 1.7 (Clear)	1.7	70	19	0.75-3.50			NA
Genesis Glass 1.8 (Clear)	1.8	65	19	0.75-3.50			NA

Shamir Progressives - Piccolo	Index	Diameter	Fitting Ht	ADD Range	HC	MC	Flash Mirror Coated*
Piccolo Glass 1.5 (Clear)	1.523	70	14	0.75-3.50	POA - Please contact us.		NA

Shamir Progressives - Vocational	Index	Diameter	Fitting Ht	ADD Range	HC	MC	Flash Mirror Coated*
Vocational Glass 1.5 (Clear) LOW	1.523	70	15	0.75	POA - Please contact us for more information.		NA
Vocational Glass 1.5 (Clear) HIGH	1.523	70	15	1.25			NA

### SINGLE VISION, BIFOCAL & TRIFOCAL GLASS LENSES

Stock Single Vision	Index	Diameter	Fitting Ht	ADD Range	HC	MC	Flash Mirror Coated*
White SV	1.523	70	NA	NA	POA - Please contact us for more information.		
Photochromatic Grey SV	1.523	70	NA	NA			

Shamir Bifocals	Index	Diameter	Fitting Ht	ADD Range	HC	MC	Flash Mirror Coated*
FT 28 71mm	1.523	71	NA	NA	POA - Please contact us for more information.		
FT 28 Photochromatic Brown 71mm	1.523	71	NA	NA			
FT 28 Photochromatic Grey 71mm	1.523	71	NA	NA			
FT 35 71 mm	1.523	71	NA	NA			
FT 35 Photochromatic Grey 71mm	1.523	71	NA	NA			
Round SEG 1.5	1.523	71	NA	NA			
Round SEG 1.5 Photochromatic Grey	1.523	71	NA	NA			
Shamir C28 Clear	1.5	69	NA	0.75-3.50			
Shamir C28 Photochromatic Brown	1.5	69	NA	0.75-3.50			
Shamir C28 Clear	1.6	69	NA	1.00-3.75			

Shamir Trifocals	Index	Diameter	Fitting Ht	ADD Range	HC	MC	Flash Mirror Coated*
Trifocal 28	1.523	71	NA	NA	POA - Please contact us for more information.		
Trifocal 28 Photochromatic Grey	1.523	71	NA	NA			
Trifocal 35	1.523	71	NA	NA			
Trifocal 35 Photochromatic Grey	1.523	71	NA	NA			

Shamir Extras	Index	Diameter	Fitting Ht	ADD Range	HC	MC	Flash Mirror Coated*
Chemical Hardening 1.53/1.5 only	1.53/1.6	NA	NA	NA	NA	NA	NA
Edging and Fitting	NA	NA	NA	NA	NA	NA	NA

Please note: Tinting is not available on Shamir Glass. All Shamir Glass ex. Israel is available with Flash Mirror coatings in Blue, Green, and Silver. Higher indexes available - POA.

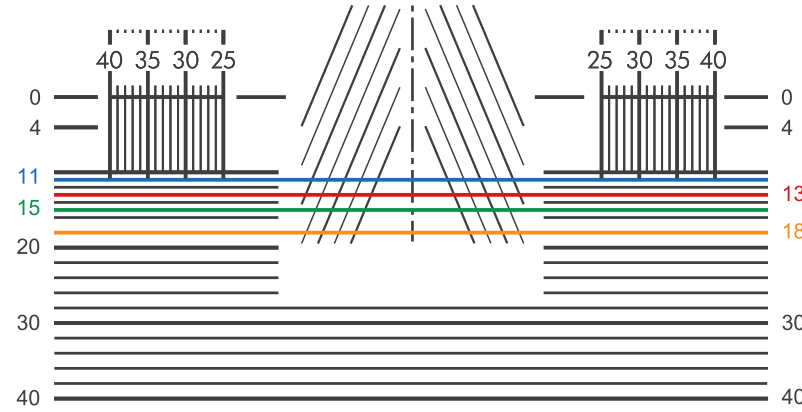
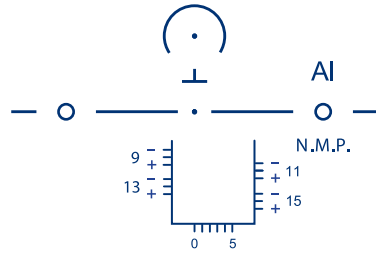
# Shamir Sundry Charges

Sundry Items	Price/ Piece
<b>Fitting Fees</b>	
Plastic/ Metal Frame Fit	✓
Nylon Frame Fit	✓
Rimless Frame Fit	✓
Inline Fit	✓
Wrap Frame Fit	✓
Shelf Edging	✓
Lindberg	✓
Nylon Shape Change	✓
Edge and Fit Own Lenses	✓
FITSPECIAL	✓
Polish Edges	✓
<b>Online Edging Fees</b>	
Plastic/ Metal Frame Fit (Online)	✓
Nylon Fit Frame (Online)	✓
Edge and Drill Rimless (Online)	✓
<b>Repairs</b>	
Frame Repairs	POA
<b>Tint Fees</b>	
Solid Tint (NA in 1.74)	✓
Solid Match (NA on mirror coats or in 1.59, 1.6 Tribrid, & 1.74)	✓
Graduated Tint (NA in 1.59, 1.6 Tribrid, & 1.74)	✓
Graduated Match (NA on mirror coats or in 1.59, 1.6 Tribrid, & 1.74)	✓
Mirror Coat	✓
UV Guard	✓

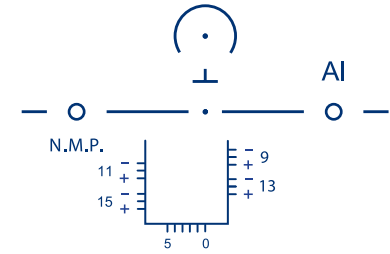
Cylinder & Prism Fees	
(ex Israel Dependant on Order)	
Cylinder 4.00D +	✓
Cylinder 6.00D +	✓
Cylinder 8.00D +	✓
Prism 4.00D +	✓
Prism 6.00D +	✓
Prism 8.00D +	✓

Tint Availability with Coatings					
Index	Solid	Graduated	Match	Glacier	Glacier Plus
1.50	✓	✓	✓	✓	✓
1.53	✓	✓	✓	✗	✗
1.59	✓	✗	✗	✗	✗
1.60	✓	✓	✓	✓	✓
1.60 Tribrid	✓	✓	✓	✓	✓
1.67	✓	✗	✗	✓	✓
1.74	Please ask	✗	✗	✗	✗

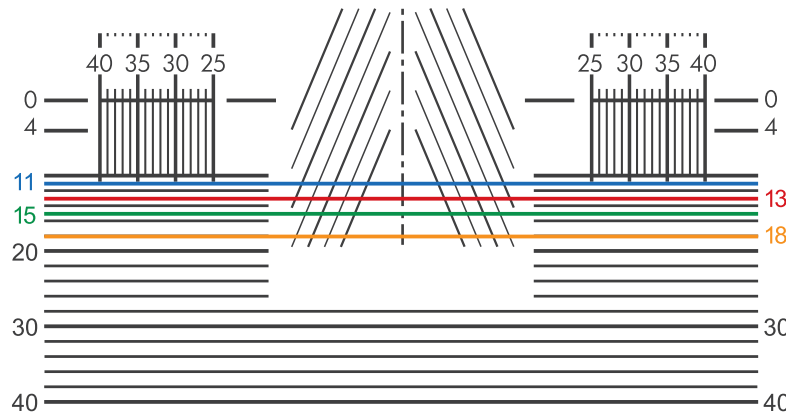
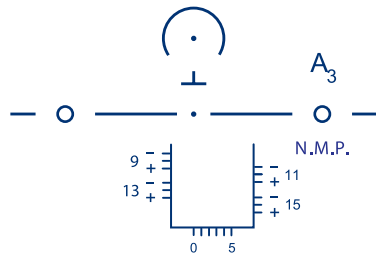
## SHAMIR AUTOGRAPH INTELLIGENCE™



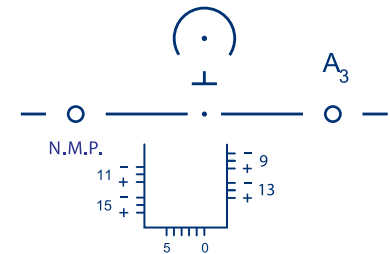
Minimum Fitting Heights: 13mm, 15mm, 18mm



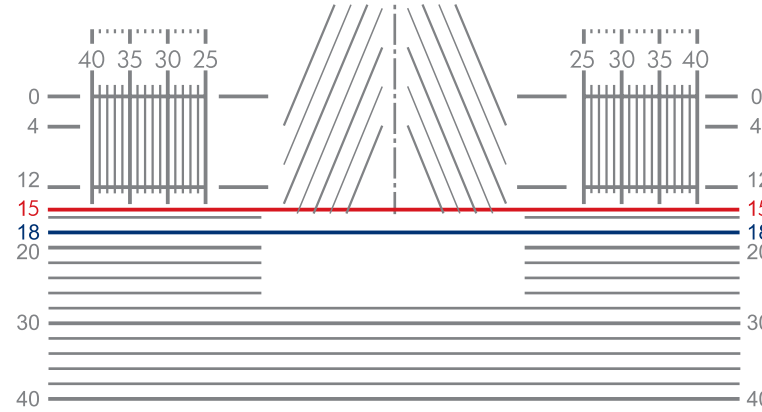
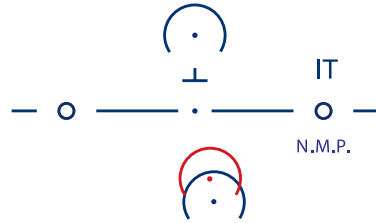
## SHAMIR AUTOGRAPH IIID™



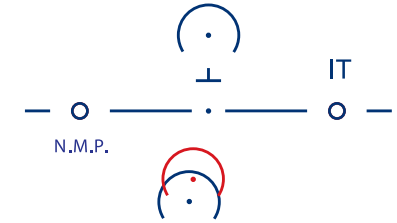
Minimum Fitting Heights: 13mm, 15mm, 18mm



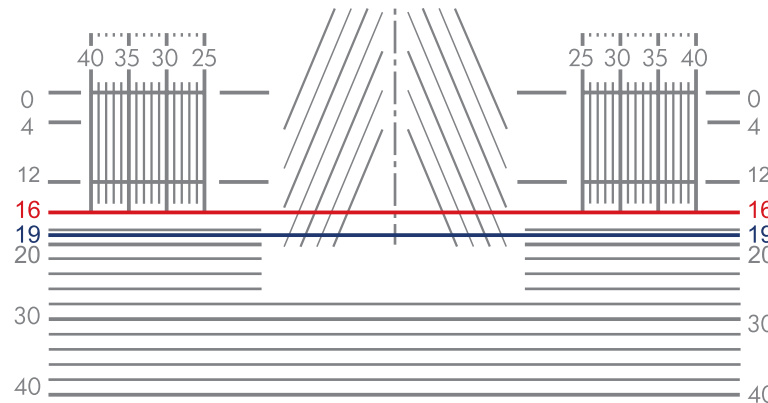
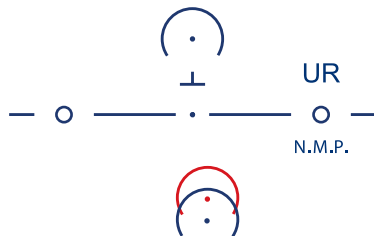
## SHAMIR AUTOGRAPH INTOUCH UX™



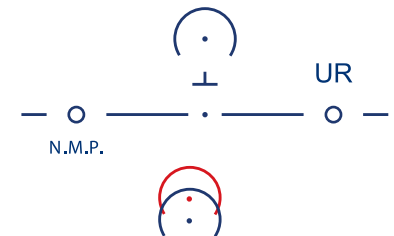
Minimum Fitting Heights: 15mm, 18mm



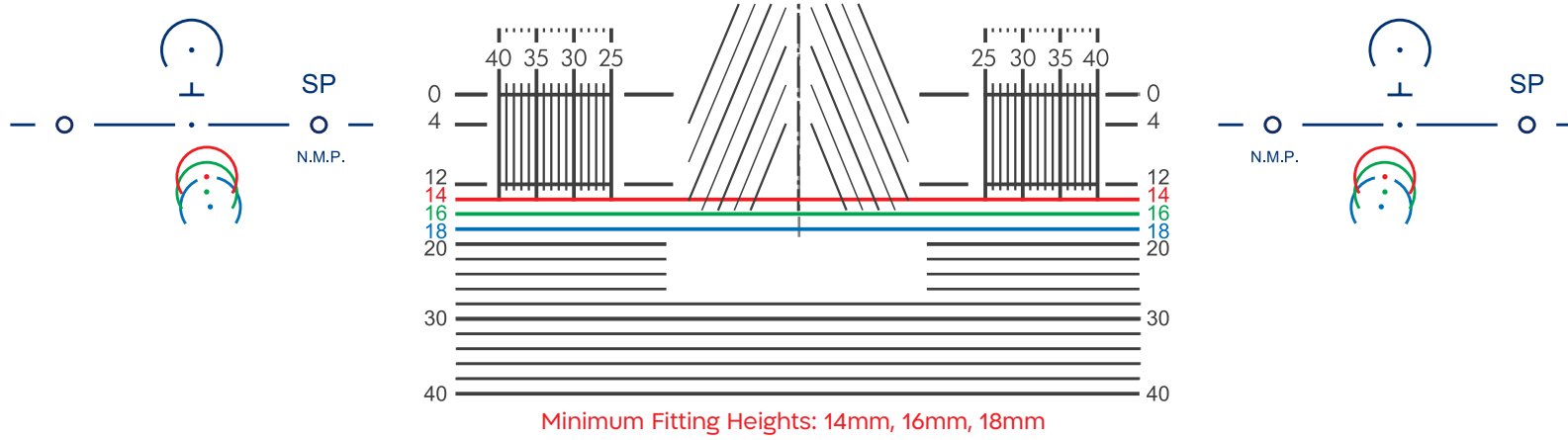
## SHAMIR AUTOGRAPH URBAN™



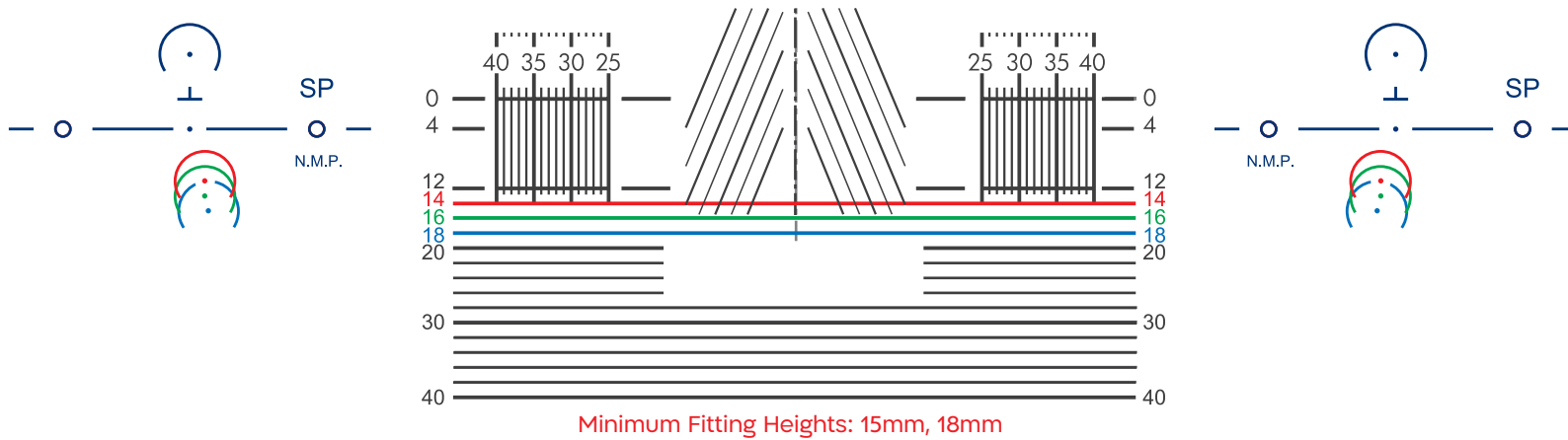
Minimum Fitting Heights: 16mm, 19mm



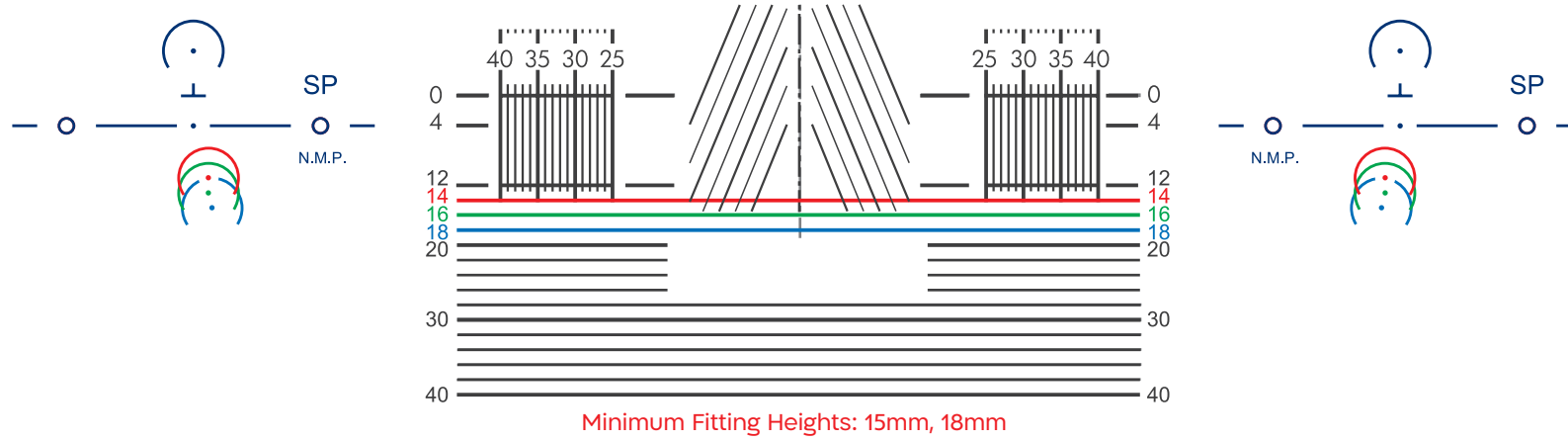
## SHAMIR SPECTRUM+™



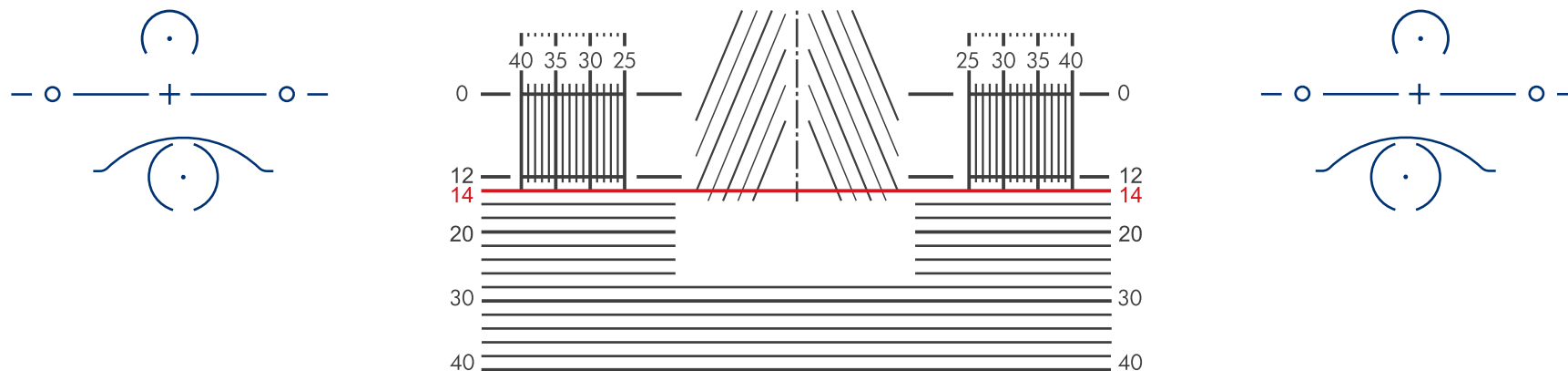
## SHAMIR ATTITUDE™ III SPORT



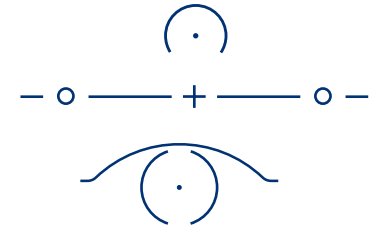
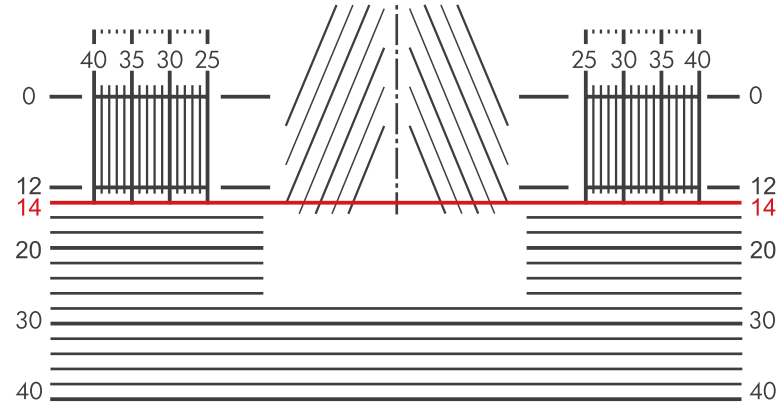
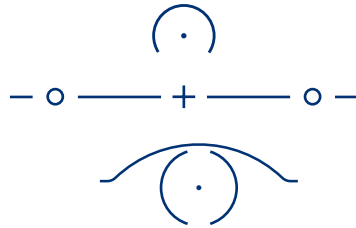
## SHAMIR ATTITUDE™ III FASHION



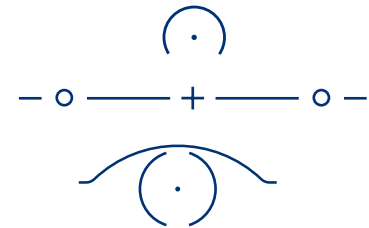
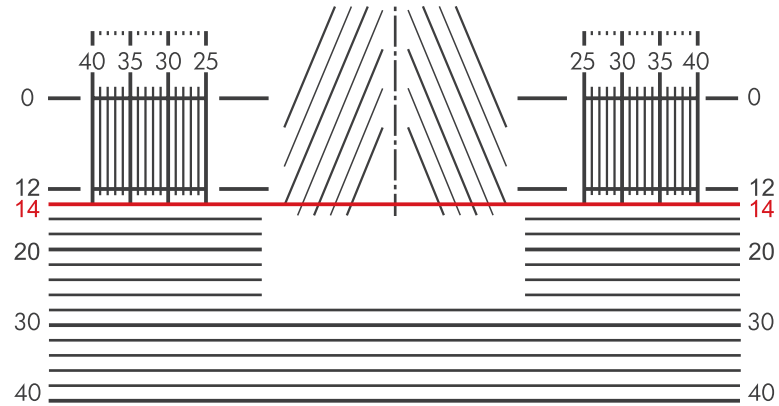
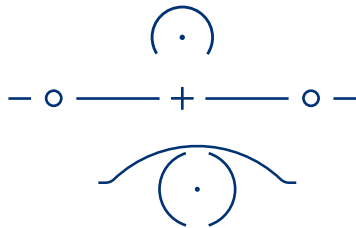
## SHAMIR SMART OFFICE™



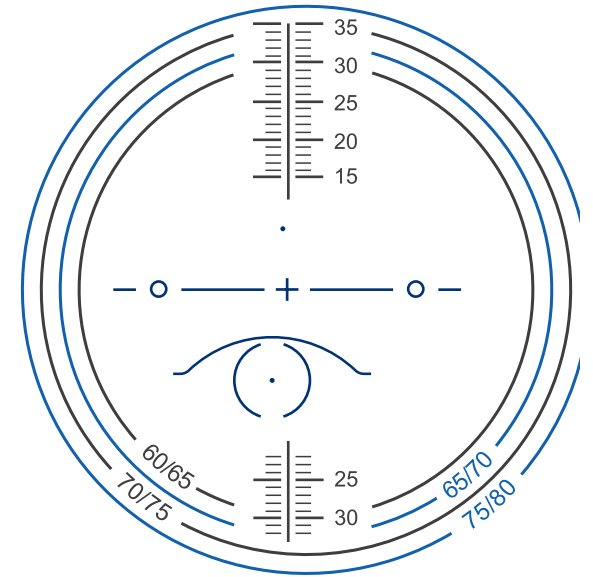
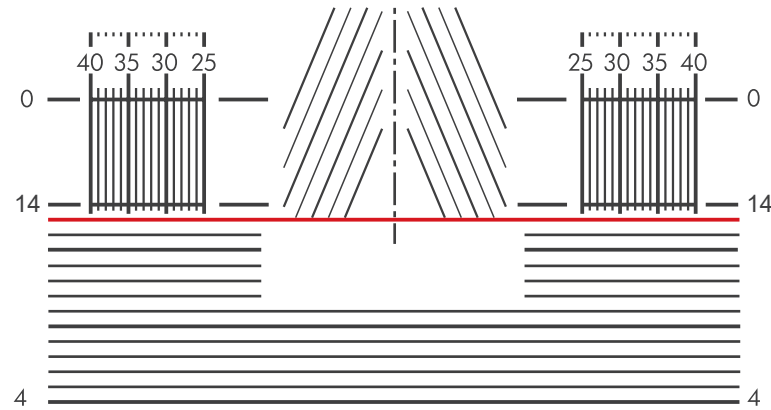
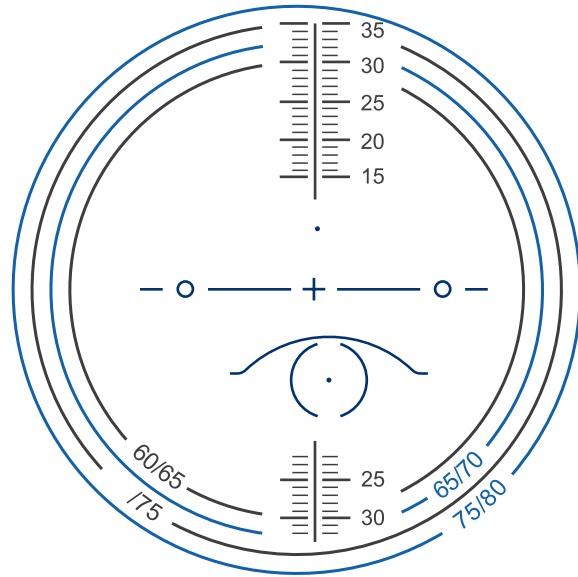
## SHAMIR COMPUTER™



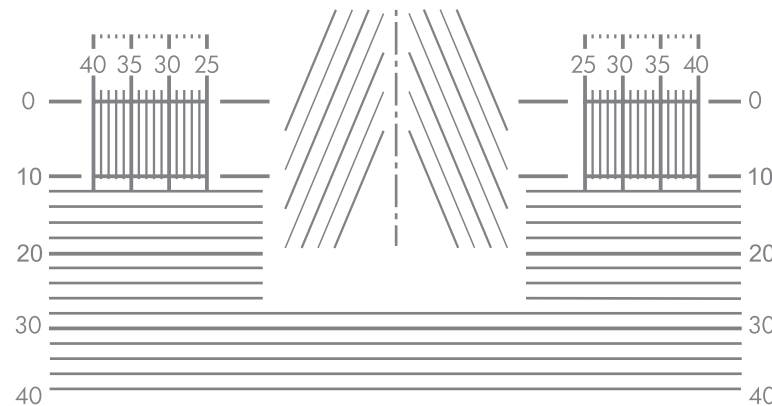
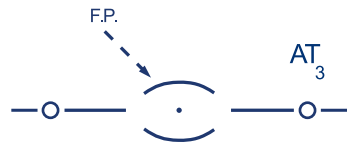
## SHAMIR WORKSPACE™



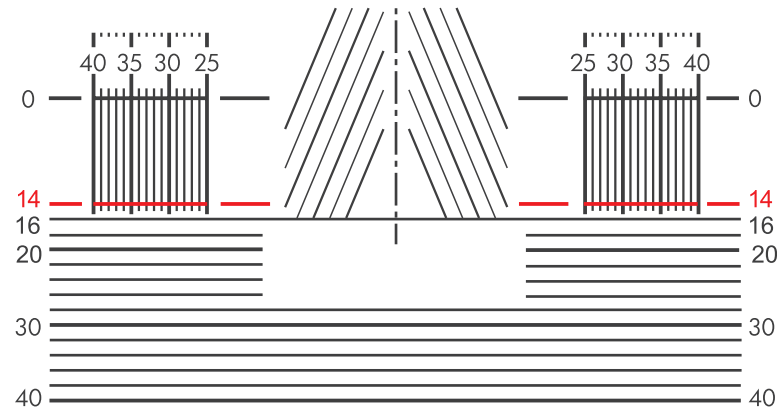
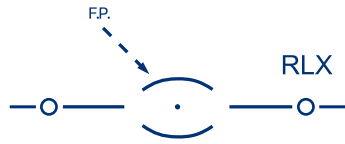
## SHAMIR VOCATIONAL DIGITAL™



## SHAMIR ATTITUDE™ III SV



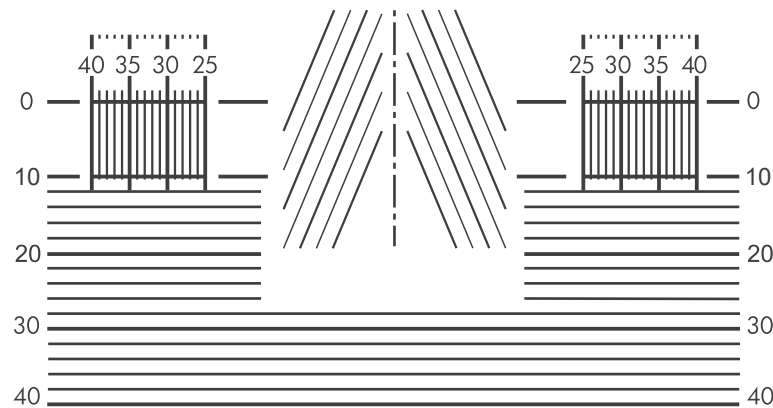
## SHAMIR RELAX™



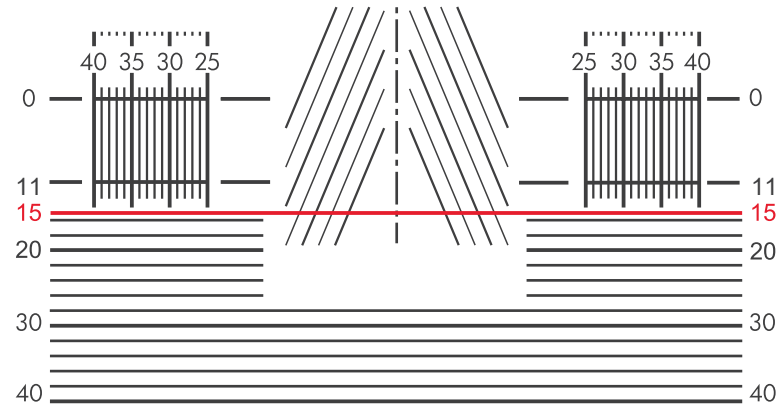
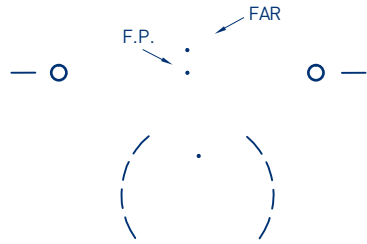
Minimum Fitting Heights: 16mm



## SHAMIR SV III AS-WORN™



# SHAMIR DUO™



Minimum Fitting Heights: 15mm

